

VACALL™
AllJet



*Cost-Efficient
Mobile Jetting Solutions*

AllJet

High-performance sewer line maintenance solution designed to fit tight budgets

Vacall AllJet sewer cleaning machines present a cost-efficient tool to effectively clear blockages and maintain lines. Designed and built by Gradall Industries, Vacall AllJet machines deliver:

- Excellent jetting power
- Simplified operation
- Superior mobility
- A long working life

Plus, only Vacall machines offer an exclusive collection of “Green That Works” advantages that save money on fuel, maintenance, downtime and on the original unit cost.

GREEN
THAT WORKS 



AllJet no-extra-cost advantages

AllJet models include a collection of standard advantages — features that may cost extra if they were available on other mobile jetting machines.

- CAN bus smart controls — Vacall’s AllSmartFlow™ system, the industry’s most advanced
- High-velocity water pump that can deliver 87 gpm and 2000 psi with precise control
- Simplified operations that are easy to learn and use, even by inexperienced operators
- Single-engine design that saves costs, fuel, emissions, noise and maintenance downtime
- High-performance, highly versatile hose reel system designed to direct the jetting power exactly where it’s needed
- “Green That Works” advantages that save money and the environment



Vacall understands your need for hard-working equipment

The features and advantages apparent in AllJet machines reflect nearly a half-century of Vacall industry experience, listening to the needs of municipalities and contractors who need strong, reliable jetting power along with simplified operating instructions. Designed and built by Gradall industries, Inc., Vacall machines meet and even exceed world-class standards for quality with processes that meet ISO 9001-2008 standards.

TO OPTIMIZE OPERATING EFFICIENCY, DETAILS MAKE A DIFFERENCE

ALL-WEATHER OPERATION

A 13,650 BTU/hr heater and insulation package are options to warm the compartment, protecting pumps, and plumbing from freezing.

LED LIGHTING

A variety of available LED lighting packages comply with DOT and ICC regulations, illuminating the area around the machine and the inside of the rear compartment.

KEEPING THE UNIT CLEAN

Wash-down hose and gun are easily accessible; hose reel is optional.

REAR VISIBILITY CAMERA

A backup camera system can provide operators with a clear view behind the working machine.

REAR CANOPY SHELTER

An optional extendable rear canopy can shield operators from sun, rain or other elements.

EXTENDING/ROTATING HOSE REEL

The hose reel hydraulically extends out 54 inches and rotates 200°, locking into position for productive working angles. The standard reel is capable of holding 600 to 800 feet of 1-inch inside diameter hose.

STANDARD ALLSMARTFLOW™ INTELLIGENT CONTROLS

The AllSmartFlow CAN bus smart control system is standard and protected by a cabinet to avoid damage to levers and joysticks.

PULL MORE TO THE JOB

A 2.5-inch, class ∇ tow receiver is standard.

PROTECTIVE REAR COMPARTMENT

The rear compartment is fabricated with high-strength aluminum and a steel subframe with a polymer coating to maximize corrosion resistance and protect the water pump, hydraulic reservoir, hose reel and associated plumbing inside.



ation
rear
hoses

EASY ACCESSIBILITY

Three anodized aluminum roll-up doors have locks to secure the all-direction rear compartment access.

POWERFUL WATER PUMP

Hydraulically powered triplex plunger pump has a rated capacity of 87 gpm @ 2000 psi.

LONG-LASTING WATER STORAGE TANKS

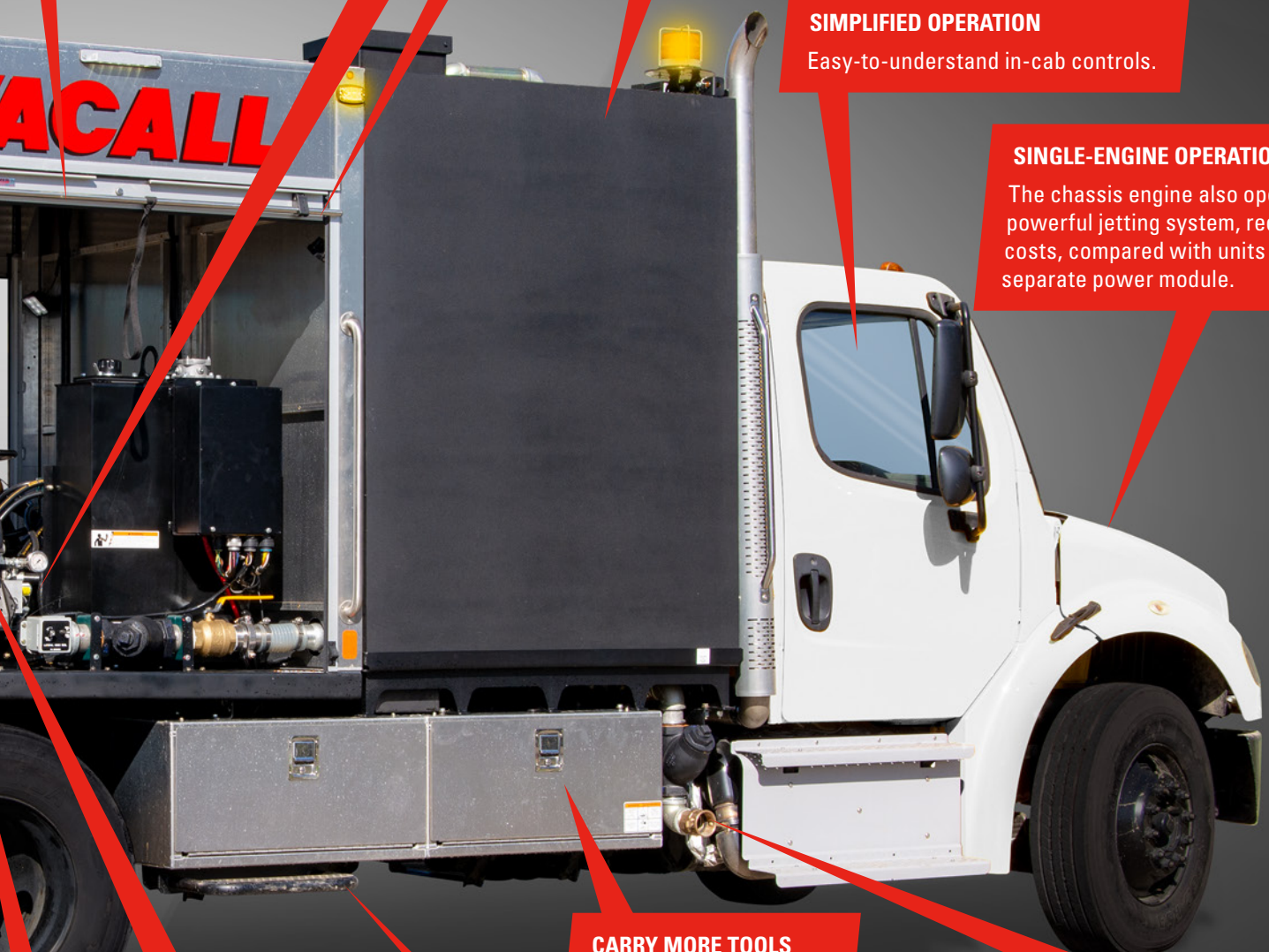
Water tank is constructed with UV resistant black polypropylene, internally baffled and has a filling system that runs through the tank, eliminating external plumbing.

SIMPLIFIED OPERATION

Easy-to-understand in-cab controls.

SINGLE-ENGINE OPERATION

The chassis engine also operates the powerful jetting system, reducing fuel costs, compared with units that have a separate power module.



OPTIONAL LATERAL REEL

For additional high pressure jetting

CARRY MORE TOOLS

Four locking aluminum tool boxes are located at the left, right and rear.

DUAL-FILL WATER SYSTEM

A passenger-side water fill port is standard, or select an ultra-convenient dual-fill port option to also fill from the driver's side.

HYDRAULIC HOSE CONNECTIONS

Expand the versatility of your AllJet machine with optional connections for auxiliary hydraulic tools.

EASY ACCESS STEPS

Steel steps, an option on both the driver and passenger sides, can extend or retract beneath tool boxes.

Simplified operation, including the industry's best smart control system



Vacall eliminates complicated start-up processes common with many sewer cleaning machines with the industry's premiere CAN bus smart controls: AllSmartFlow™.

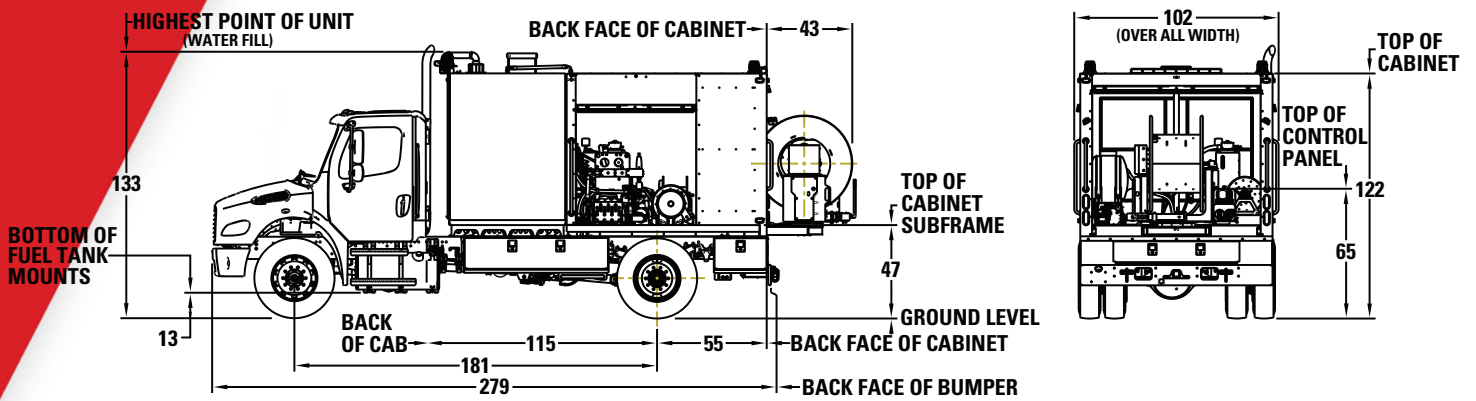
As a result, operator efficiency is improved by breaking up sewer line blockages faster. New operators quickly learn to operate the powerful jetting action. Precision monitoring can make sure the AllJet is delivering optimum on-the-job performance.

Over the road and around the work site, a full enclosure protects the AllSmartFlow control panel, eliminating the chance of damage to joysticks and levers that stick out on other machines.

CONTROL SYSTEMS DESIGNED FOR HIGH PRODUCTIVITY

- AllSmartFlow Lighted Controls with IP67 rating to provide harsh weather and moisture protection better than NEMA 4 rating and recessed into control box with latchable door for protection
- CAN bus controls include the following:
 - Proportional joystick for pay out/pay in
 - Panel power
 - Chassis engine speed
 - Water pump speed/pressure
 - Cabinet/work Lights
 - Hose reel extend/retract
 - Air operated reel brake for infinite hose reel locking positions
 - LCD color display
 - Emergency Stop
- Rear mounted back-up camera with 7" two channel chassis cab monitor mounted on dash
- Chassis cab controls utilize a single Road/Work mode switch to shift the PTO and enable jetting for ease of operation





STANDARD ON EVERY MACHINE:

TOOL BOXES

- Rear across body tool box (27" W x 18" H x 96" L) accessible from 3 sides
- Driver side 72" tool box (18" W x 18" H x 72" L)
- Passenger side rear 36" tool box (18" W x 18" H x 36" L)
- Passenger side front 36" tool box (18" W x 18" H x 36" L)
- All tool boxes are lockable
- Rear mud flaps

WATER SYSTEM

- Water tank construction - UV resistant black polypropylene water tank, internally baffled and filled/drained curbside
- Water tank capacity – 1,600 gallons
- 2.5" fill system with Wye strainer and 20 mesh stainless steel screen
- Dual water tank sight gages, driver side and passenger side
- General MWSR triplex plunger variable flow water pump rated at 87 GPM @ 2000 psi with speed sensor and bleeder/drain valves
- 3" water suction with shutoff valve and Wye strainer with 20 mesh stainless steel screen
- 800 psi hand gun with 25' hose
- Low point drains

HOSE REEL

- Telescoping hose reel - 1" diameter hose, 800' capacity, direct-drive reel, 200 degree rotation with infinite locking positions
- 54" hose reel extension from fully retracted position with wear pads for low maintenance
- Level wind dual roller hose guide

ENCLOSURE

- High quality aluminum body
- One rear roll-up door (84" W x 75" H)
- One roll-up door passenger side (60" W x 60" H)
- One roll-up door driver side (60" W x 60" H)
- All roll-up doors are lockable
- Interior cabinet lighting
- Grab handles

LIGHTING / ELECTRICAL

- LED lighting package for stop/tail/turn/backup/marker/license plate in accordance with DOT standards
- Rear mounted receptacle for hand spotlight

REAR BUMPER

- Steel rear bumper with cabinet access steps
- 2.5" tow receiver
- Electrical hookup

HYDRAULIC SYSTEM

- Single shiftable (not constant mesh) PTO driven closed loop hydrostatic piston pump to drive water pump
- Open loop load sense implement pump for main control valve functions
- Tube and shell hydraulic oil cooler
- Hydraulic reservoir with quick disconnect pressurized fill, in tank 5 micron return filter and 35 gallon capacity
- Filter also has a removable cap to allow tank filling from a container, the oil is filtered to prevent contamination

PACKAGED ITEMS

- Packaged items to include tiger tail hose guide
- Nozzle 1" 80 GPM 18 degree 2000 PSI
- Nozzle skid
- Road safety triangle kit
- Fire extinguisher
- 2.5" x 25' fill hose
- 800 psi wash-down hand gun with 25' hose
- First aid kit

MANUALS

- Machine parts, service, operators manuals

OPTIONS

Hydraulics

- Aux hydraulics (Electric Emergency Hydraulics)
- Tool circuit

Water System

- Degreaser injection
- Lateral hose reel
- Optional water pumps
- Recirculation cold weather main hose reel
- Wash down hose reel
- Auto level wind - 800' reel

Enclosure

- Cabinet canopy
- Cabinet insulation package
- Enclosure heater

Operator Controls

- Harness pendant control - 50 ft
- Wireless system pendant

Electrical System

- Bar light traffic advisor
- Beacon lights
- Brake controller tow package



VACALL™

Gradall Industries LLC • 406 Mill Ave. SW, New Philadelphia, OH 44663
800-382-8302 • www.vacall.com



Designs, materials and specifications undergo constant improvement and are subject to change without notice and without incurring any liability on units already sold. Some machine photos may show options.